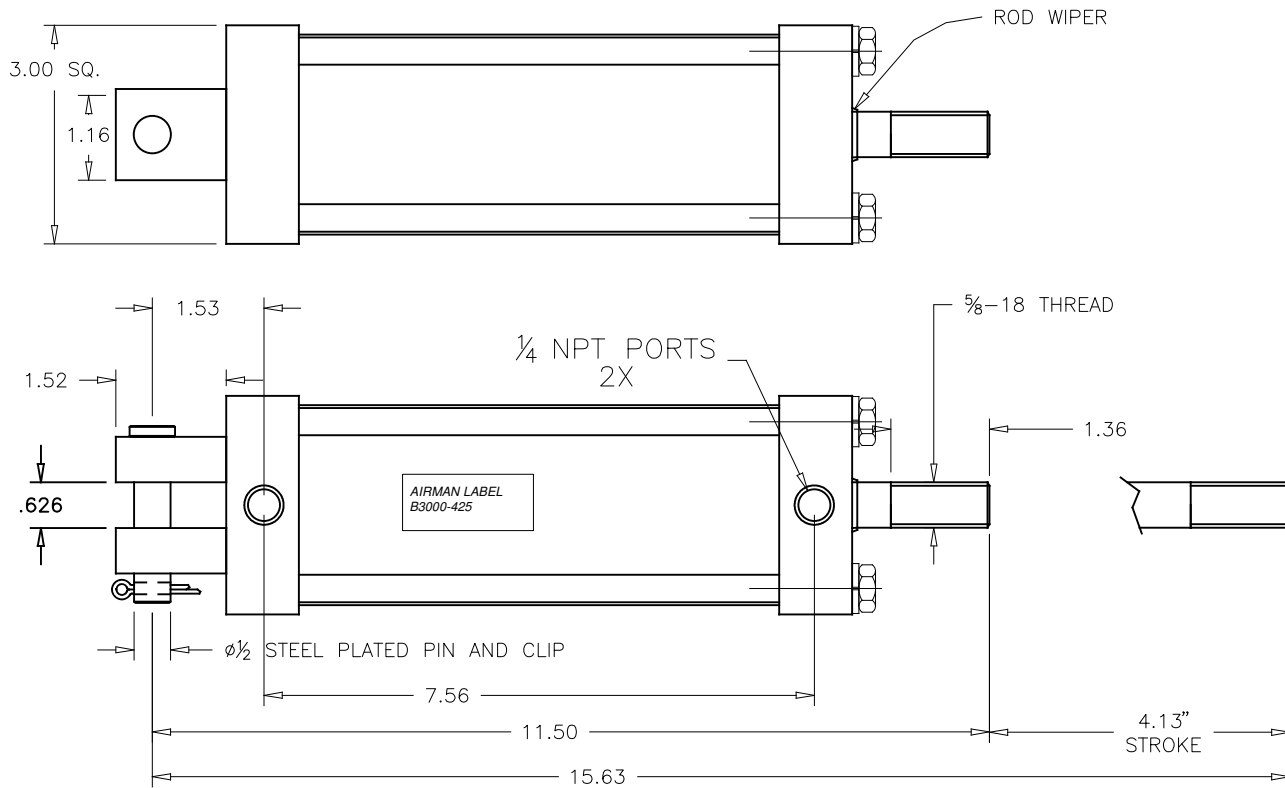


ECN	REV	CHANGE	DATE	BY
	A	ORIGINATED	7/27/07	DC
1288	A1	DESIGN UPDATE	9/20/2011	DC



FUNCTION:

2.50" BORE x 4.13 STROKE CYL.
DOUBLE-ACTING

MECHANICAL:

MATERIALS:

SEALS: LOW TEMP. NITRILE SEALS

FASTENERS:

MTG. STYLE: CLEVIS

ASSY.

LUBRICATION: HEAVY TRANSPORT SILICONE

FLOW:

TEMP.: -40 TO 180°F

FILTRATION: 40 MICRON

SYSTEM

LUBRICATION

REQ'D.: N/A

PRESSURE

RANGE: MIN. 5 psi

MAX. 150 psi PNEUMATIC

MAX. 200 psi HYDRAULIC NON-SHOCK

ELECTRICAL:

VOLTAGE:

CURRENT:

- UHMW WEAR BAND
- ALUMINUM PISTON, END CAPS
- HEAVY DUTY BRASS ROD BEARING
- 5/8" DIAMETER STAINLESS STEEL PISTON ROD
- HARD COAT ANODIZED ALUMINUM CYLINDER

DESC 1: 2.50 BORE x 4.125 STROKE
DOUBLE-ACTING CYL.

DO NOT SCALE PRINT

<small>CONFIDENTIAL THIS DRAWING OR ANY PART THEREOF IS PROPRIETARY AND MAY NOT BE REPRODUCED OR COPIED WITHOUT WRITTEN CONSENT OF AIRMAN INC.</small>		DRAWN	 Creative Pneumatics WWW.AIRMANINC.COM		PART IDENTIFIER
	DATE	7/27/07			B3000-425 ASSY. PG. 1 OF 1
	NAME	DC		SCALE:	
			COPYRIGHT © 1997 AIRMAN INC.		